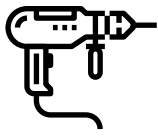


DOUBLE SIDED ILLUMINATED LIGHTBOX FITTING INSTRUCTIONS



Tools Required

For panel removal:

Pozidriv Screwdriver

Flat bladed screwdriver or similar to prise up the trim

See separate Ankerbolt instructions for attaching the lightbox to the wall.



Instructions

For panel removal to add graphics , open the lightbox:

Remove the 2 screws using a Pozidriv screwdriver from the end trim. See Fig 1.

Gently prise the trim upwards at each end using a flat bladed screwdriver or similar, taking care not to scratch the trim or panel. See Fig 2.

Once the trim has been removed, the panel can be slid out and any graphics required added.

To close the lightbox, slide the panel back in, push the trim into place and replace the 2 screws.

Consult a qualified electrician to complete wiring the lightbox to a power supply.

Fig 1

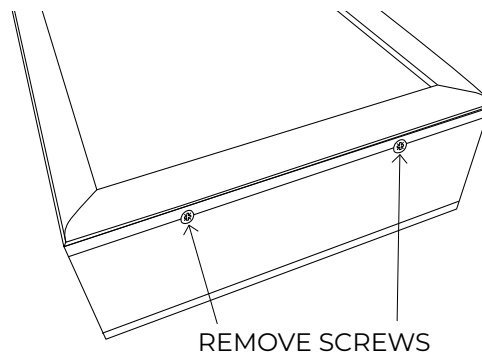


Fig 2

